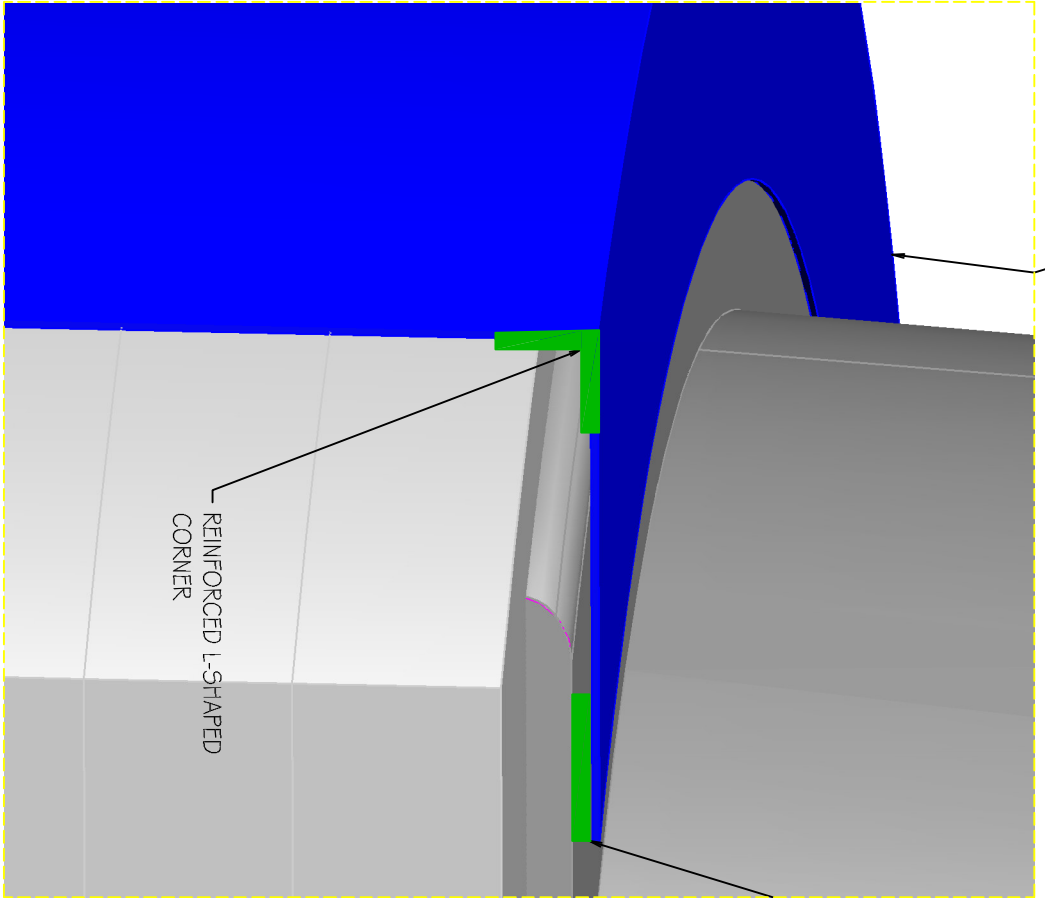
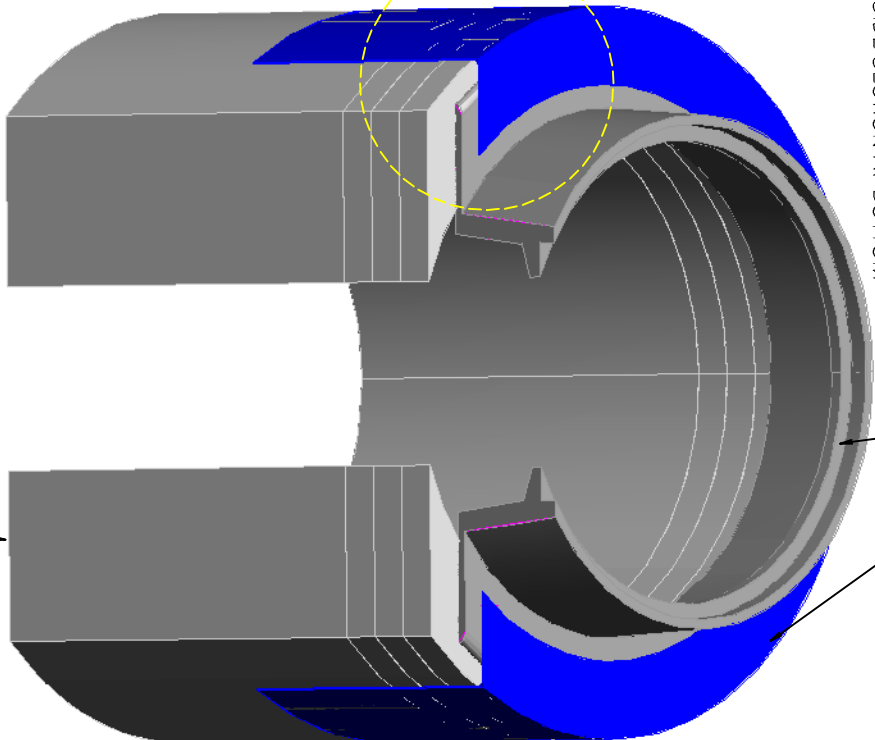


PERFORMED 90° ANGLE  
FROM TOP SECTION  
TO SIDE SECTION



REINFORCED L-SHAPED  
CORNER

BUTYL MASTIC ALL THE WAY  
AROUND THE UNDERSIDE OF THE  
TOP SECTION AND AROUND INSIDE  
OF SIDE SECTION AT BOTTOM



MANHOLE CASTING

SEAMLESS PERFORMED  
ANGLED SEAL

CONC RINGS  
AND STRUCTURE

Sealing Systems, Inc.  
9350 CR 19  
Loretto, MN 55357  
763-478-2057 / 800-478-2054  
Fax 763-478-8868



# INFI-SHIELD UNIBAND SEAL

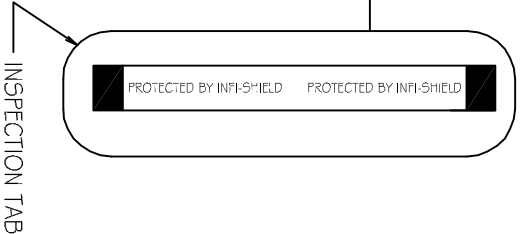
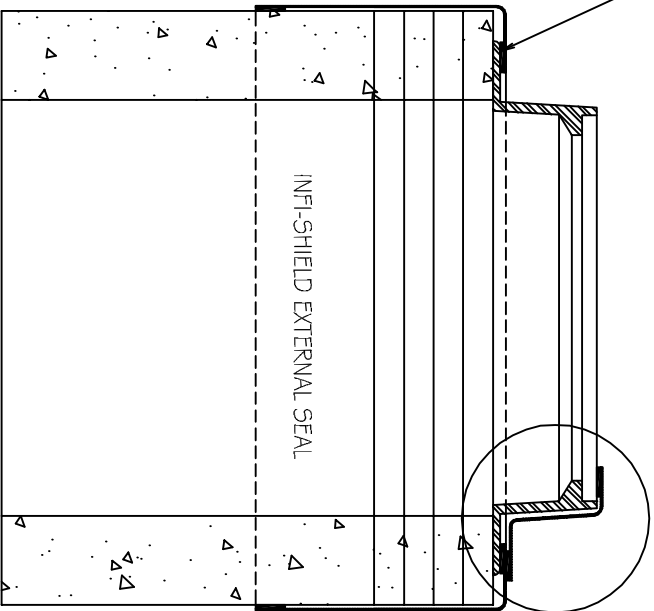
DATE: 2/8/08

SHEET: 1 OF 1

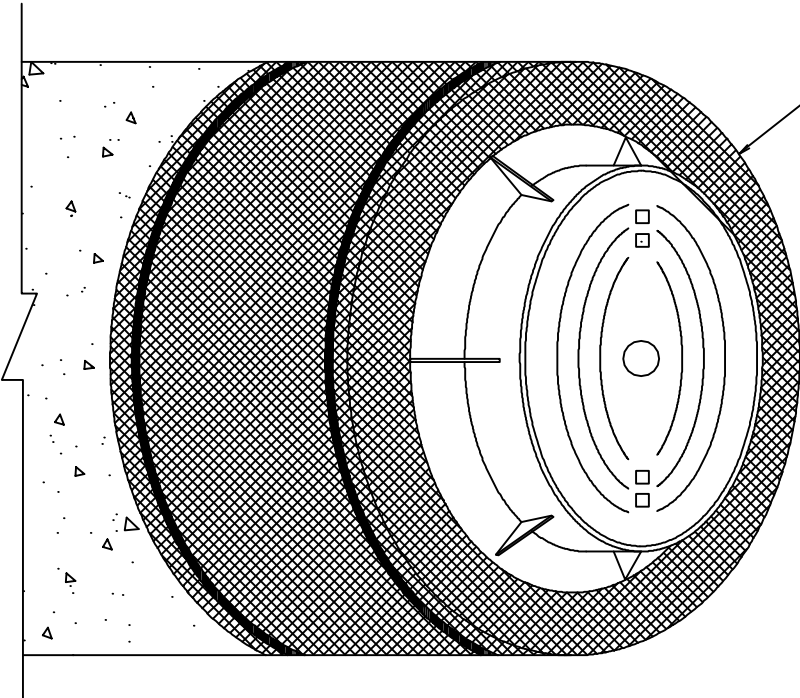
CHECKED BY: PHE

DRAWN BY: BAV

2" WIDE STRIPS OF NON-HARDENING CROSS LINKED BUTYL MASTIC  
ALL THE WAY AROUND THE UNDERSIDE OF THE TOP  
AND AROUND THE BOTTOM OF THE SEAL.



ONE PIECE MOLDED EPDM RUBBER MINIMUM  
OF 90MILS THICKNESS WITH PREFORMED  
L-SHAPED CORNER FOR TIGHT FIT



GENERAL NOTES:

- UV RESISTANT EPDM RUBBER
- INSPECTION TAB FOR QUICK VERIFICATION OF INSTALLATION
- MINIMUM OF 460% ELONGATION
- MEETS OR EXCEEDS ASTM D27 & D412
- LIFE EXPECTANCY - INDEFINITE
- UNI-BAND HEIGHTS 8", 12", 16"
- EXTENSION HEIGHTS 8", 12", 16"
- SEE INSTRUCTIONS FOR PROPER INSTALLATION

INFI-SHIELD UNI-BAND MANHOLE SEALING DETAIL



9350 CR 19  
LORETO, MN 55357  
PH: 763-478-2057  
FAX: 763-478-8868  
1-800-478-2054